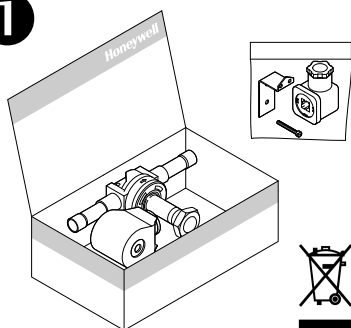


MA, MD, MS, MC

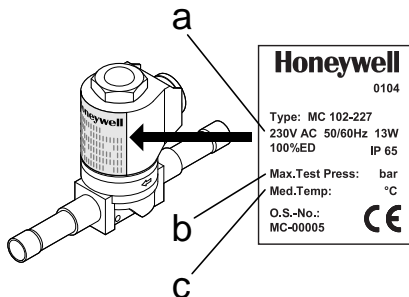
Einbau-Anleitung • Installation instructions • Instructions de montage
Istruzioni per il montaggio • Instrucciones de instalación

1



PS = max. 35 bar
P_{test} = max. 38.5 bar

2

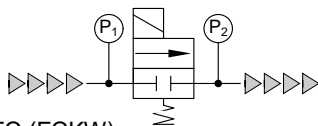


- a) U = 230 V AC, 110 V AC
24 V AC, 24 V DC
- b) P_{test}
- c) t_{min} / t_{max}

Honeywell
0104
Type: MC 102-227
230V AC 50/60Hz 13W
100%ED IP 65
Max. Test Press: bar
Med. Temp: °C
O.S.-No.: MC-00005 **CE**

$\Delta U_{AC} = \pm 10 \%$
$\Delta U_{DC} = + 10 \%$ - 5 %

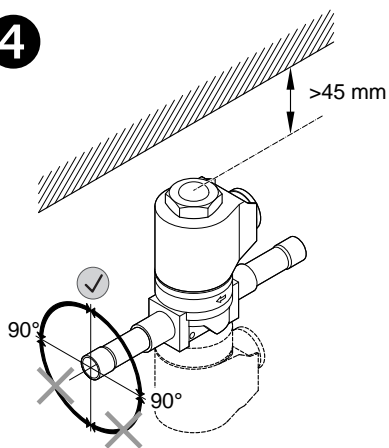
3



CFC (FCKW)
HCFC (HFCKW)
HFC (HFKW)

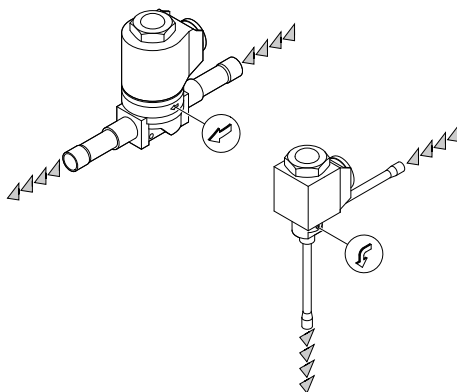
Δp_{min}	= p ₂ - p ₁ =>	MS = 0.05 bar MA, MD = 0 bar
Δp_{max}	= p ₂ - p ₁ =>	MS = 2 bar
MOPD (AC)	= p ₂ - p ₁ =>	MS = 30 bar MA, MD = 25 bar
MOPD (DC)	= p ₂ - p ₁ =>	MS, MA, MD = 21 bar

4



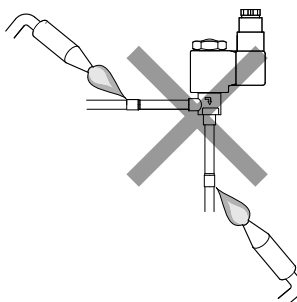
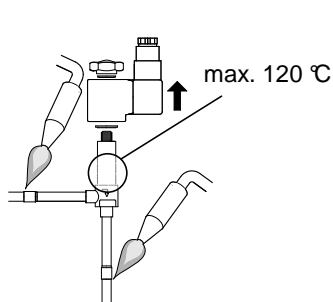
5

§ EN 378 !



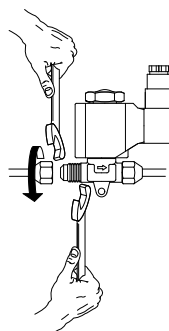
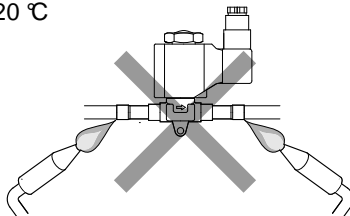
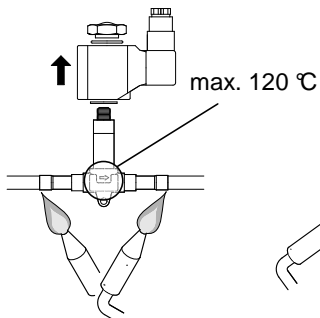
6

A.) MA

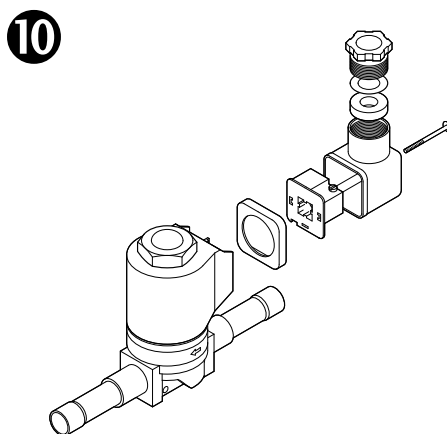
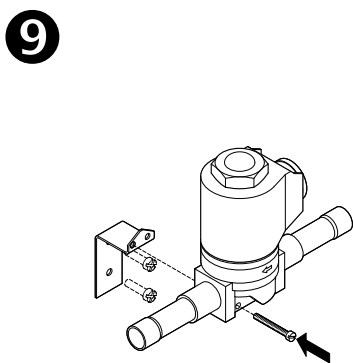
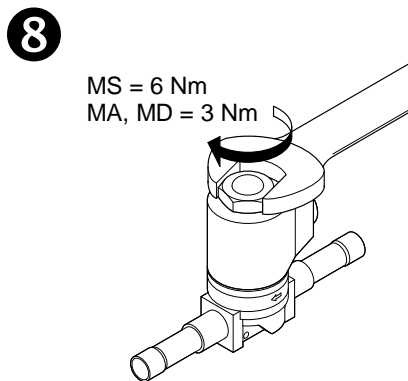
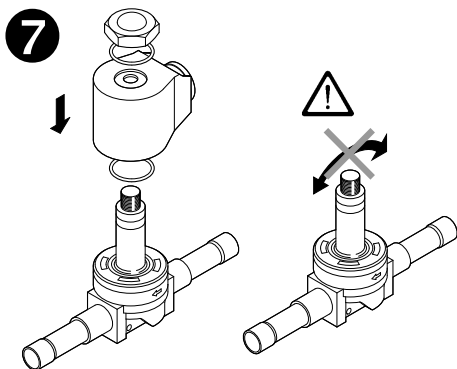
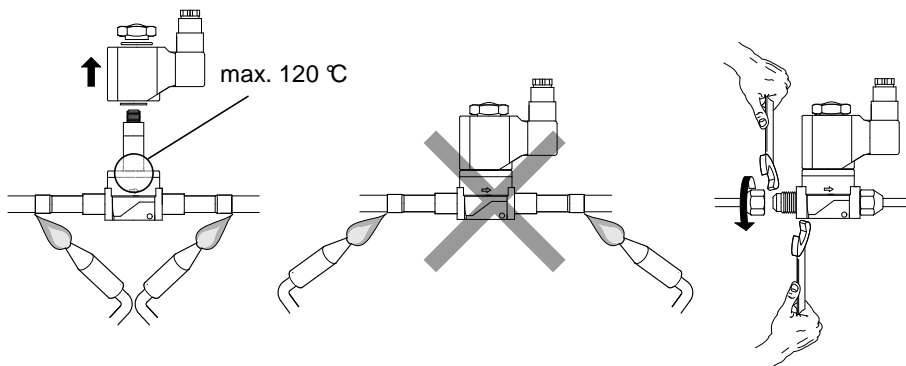


6

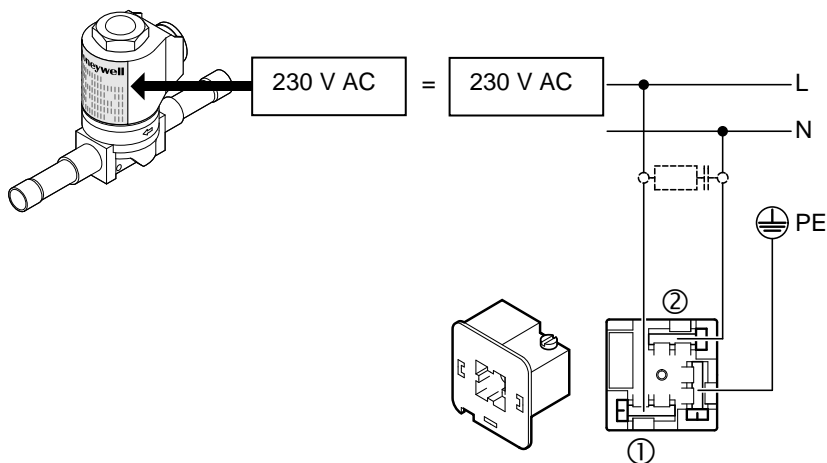
B.) MD



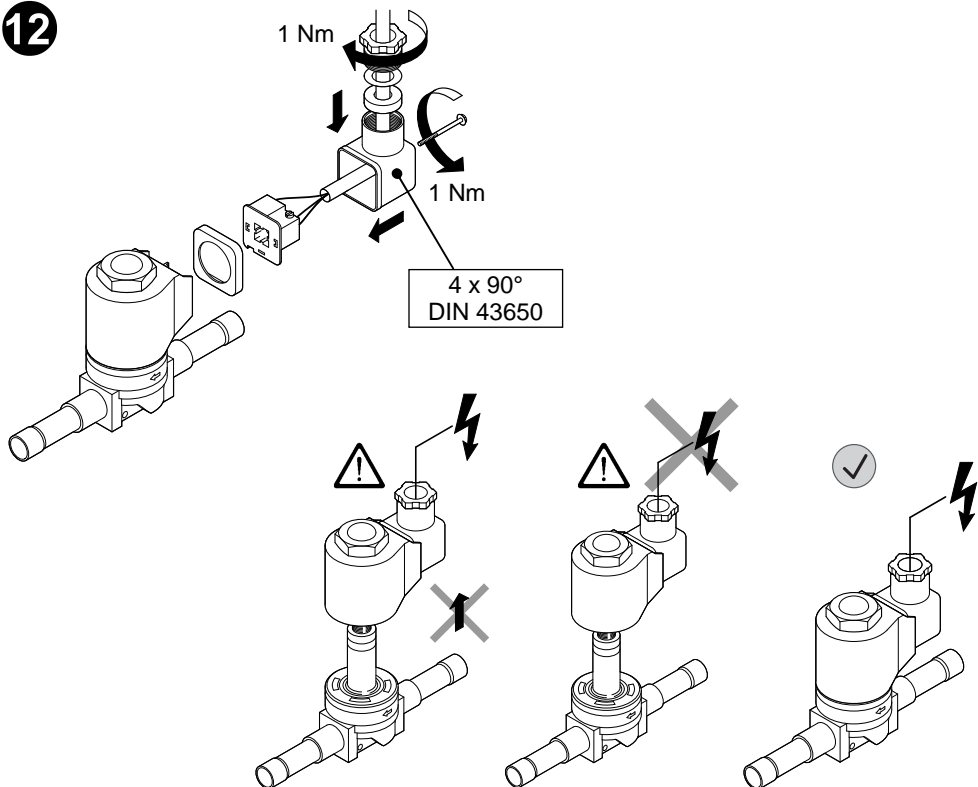
6 C.) MS



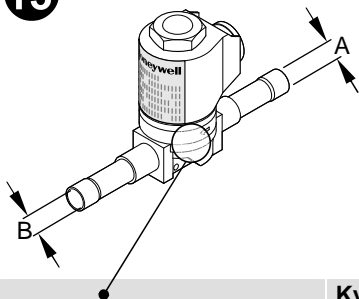
11



12



13



	Kv [m ³ /h]	A x B
MA 062MMS	0.17	6 x 6 mm ODF
MA 062S	0.17	1/4" x 1/4" ODF
MD 062	0.17	7/16" x 7/16" UNF
MD 062MMS	0.17	6 x 6 mm ODF
MD 062S	0.17	1/4" x 1/4" ODF
MD 102	0.22	7/16" x 7/16" UNF
MD 102MMS	0.22	6 x 6 mm ODF
MD 102S	0.22	1/4" x 1/4" ODF
MD 103	0.23	5/8" x 5/8" UNF
MD 103MMS	0.23	10 x 10 mm ODF
MD 103S	0.23	3/8" x 3/8" ODF
MS 103	0.90	5/8" x 5/8" UNF
MS 103MMS	0.90	10 x 10 mm ODF
MS 103S	0.90	3/8" x 3/8" ODF
MS 104MMS	0.90	12 x 12 mm ODF
MS 104S	0.90	1/2" x 1/2" ODF
MS 124	1.60	3/4" x 3/4" UNF
MS 124MMS	1.60	12 x 12 mm ODF
MS 124S	1.60	1/2" x 1/2" ODF
MS 125S	1.60	16 x 16 mm ODF 5/8" x 5/8" ODF
MS 165	2.00	7/8" x 7/8" UNF
MS 165S	2.00	16 x 16 mm ODF 5/8" x 5/8" ODF
MS 167S	2.00	22 x 22 mm ODF 7/8" x 7/8" ODF
MS 227S	4.00	22 x 22 mm ODF 7/8" x 7/8" ODF



Konformitätserklärung Declaration of Conformity

gemäß / in accordance with: **73/23/EEC** und / and **93/68/EEC**

Titel / Title: **Niederspannungsrichtlinie
Low Voltage Directive**

Produkt / Product: **Magnetspulen MC 042, MC 062, MC 102-227
für Magnetventile MA, MD, MS
Solenoid coils MC 042, MC 062, MC 102-227
for solenoid valves MA, MD, MS**

Anbieter / Supplier: **Honeywell GmbH**
Anschrift / Address: **Hardhofweg
74821 Mosbach/Germany**

Kennzeichen / Mark: **CE**

Dokument / Document	Titel / Title	Ausgabe / Edition:
GE0H-1917GE23	Produkt-Datenblatt Typenreihe M	R0608
EN0H-1917GE23	Product Data Series M	R0608

EG Richtlinien & harmonisierte Normen, EG -Normentwürfe:
EC guidelines & harmonized norms, EC-project norms:

- **EN 60335-1 (1988) + A2, A5, A6, A51, A52, A53**
- **EN 50084-1** oder / or **EN 60730**

Dan Cretu - Engineering Leader HVAC Field Devices
(Name, Funktion / Name, Function)

(Unterschrift / Signature)

Mosbach, 01.07.2008

Konformitätserklärung nach DIN EN 45014 und ISO/IEC Guide 22
Declaration of conformity in accordance with DIN EN 45014 and ISO/IEC Guide 22

Honeywell

Automation and Control Solutions

Honeywell GmbH

Hardhofweg • 74821 Mosbach / Germany

Phone: +49 (0) 62 61 / 81-475

Fax: +49 (0) 62 61 / 81-461

E-Mail: Cooling.Mosbach@honeywell.com

www.honeywell-cooling.com

Manufactured for and on behalf of the
Environment and Combustion Controls
Division of Honeywell Technologies Sàrl,
1180 Rolle, Z.A. La Pièce 16, Switzerland
by its authorised representative Honeywell GmbH